

Hydraulic Manifold (Oil block with lattice structure)

Design study

- Lattice structures optimized for DMLS
- Thin bionic structures
- EOS StainlessSteel PH1
- Building time: 25 h



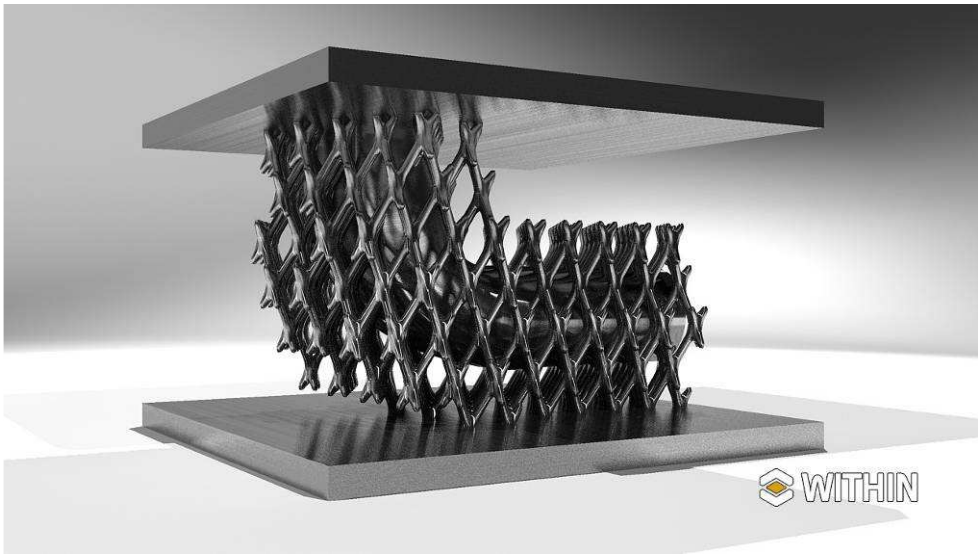
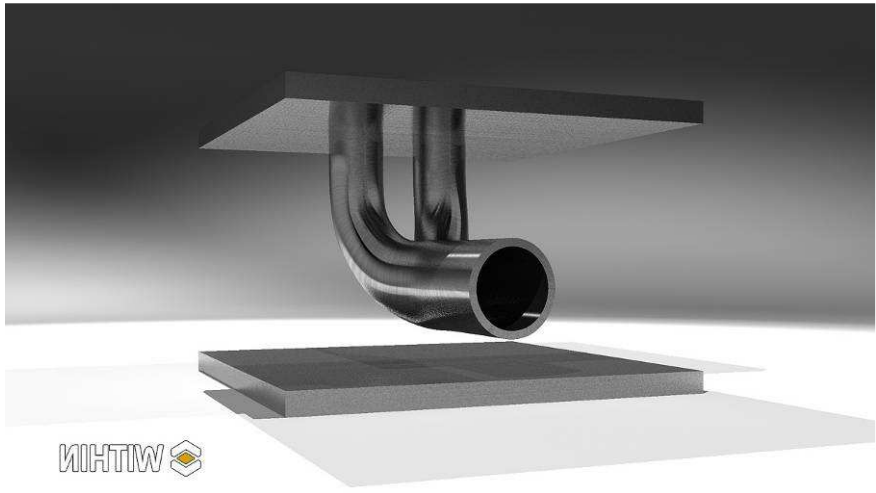
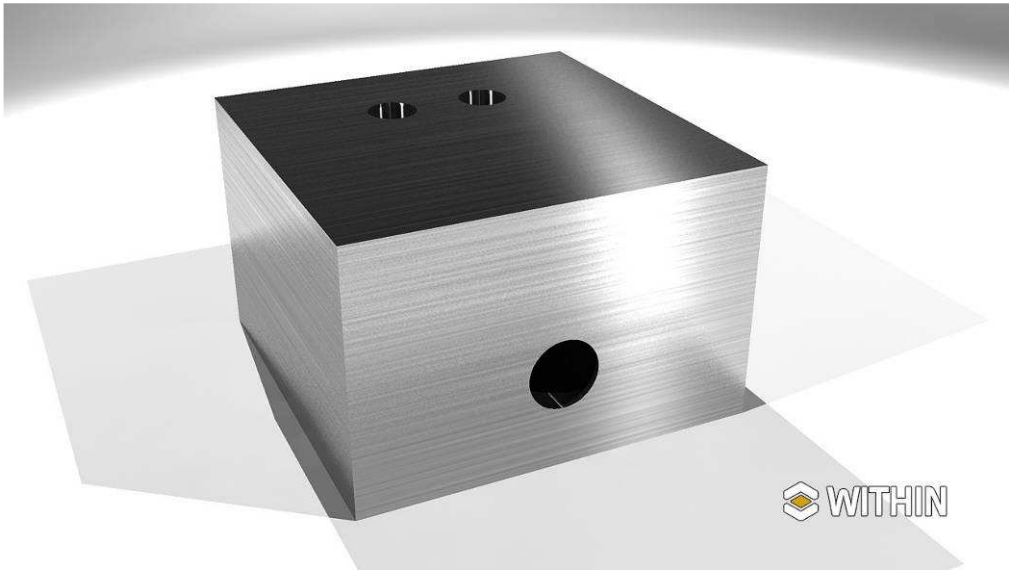
Project: 3T RPD, Within

Source: 3T RPD, Within

EOS 2010 · CS_Hydraulic Block · Joseph Weilhammer



e-Manufacturing Solutions



Source: 3T RPD, Within

EOS 2010 · CS_Hydraulic Block · Joseph Weilhammer



e-Manufacturing Solutions